

owner/developer:
 BSLM FRENCHTOWN L.L.C.
 3700 MIDDLEBELT ROAD, SUITE 165
 FARMINGTON HILLS, MI 48334
 (248) 626-6888



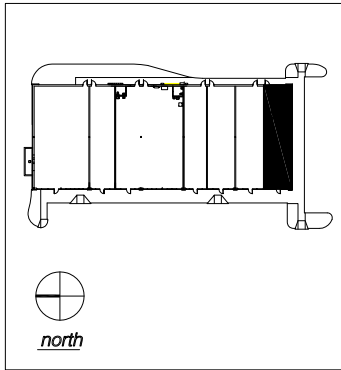
CONCEPTUAL
LEASE PLAN

SCALE: 1"=20'-0"

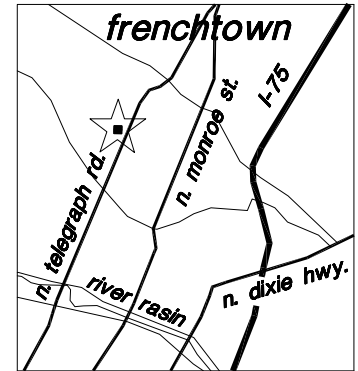
Sheet No. L-1
 Date: 6 APR 04
 Job No: 4007
 PROPOSED
 FRENCHTOWN PLAZA
 FRENCHTOWN TWP, MI



ROGVOY
 ARCHITECTS
 32500 TELEGRAPH ROAD
 SUITE 200
 BINGHAM FARMS, MICHIGAN
 48305-2404
 MI 248442700 FX 248442710
 ARCHITECT@ROGVOY.COM



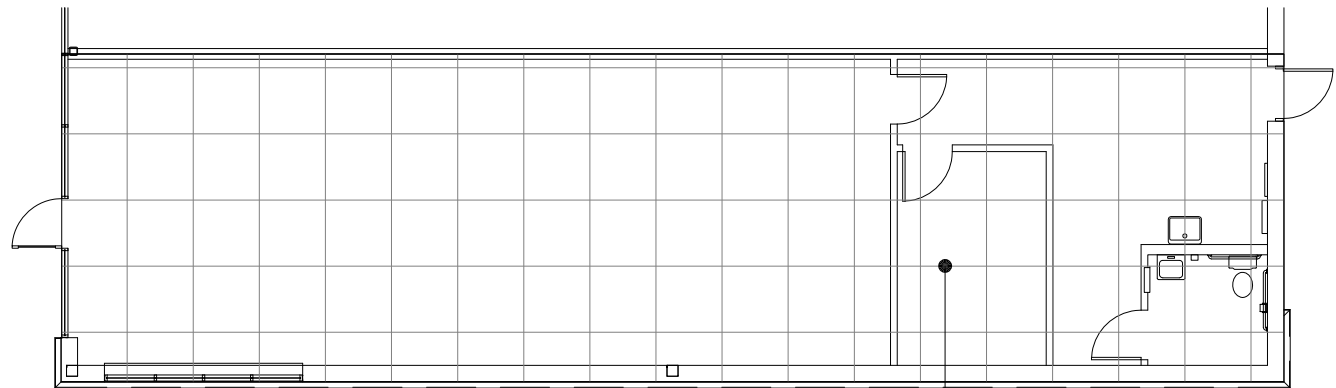
prime space available at:
FRENCHTOWN PLAZA



Suite Location Plan
2239 N. TELEGRAPH RD.
Frenchtown Charter Twp., MI

features & amenities:

- **immediate availability**
- **prime Frenchtown location**
- **end cap space**
- **1,467 s.f.**



**4' x 4' planning
module**

2239 N. Telegraph Rd.

for information contact Michael Lippitt
of Landmark Commercial Real Estate Services at 248-488-2620